

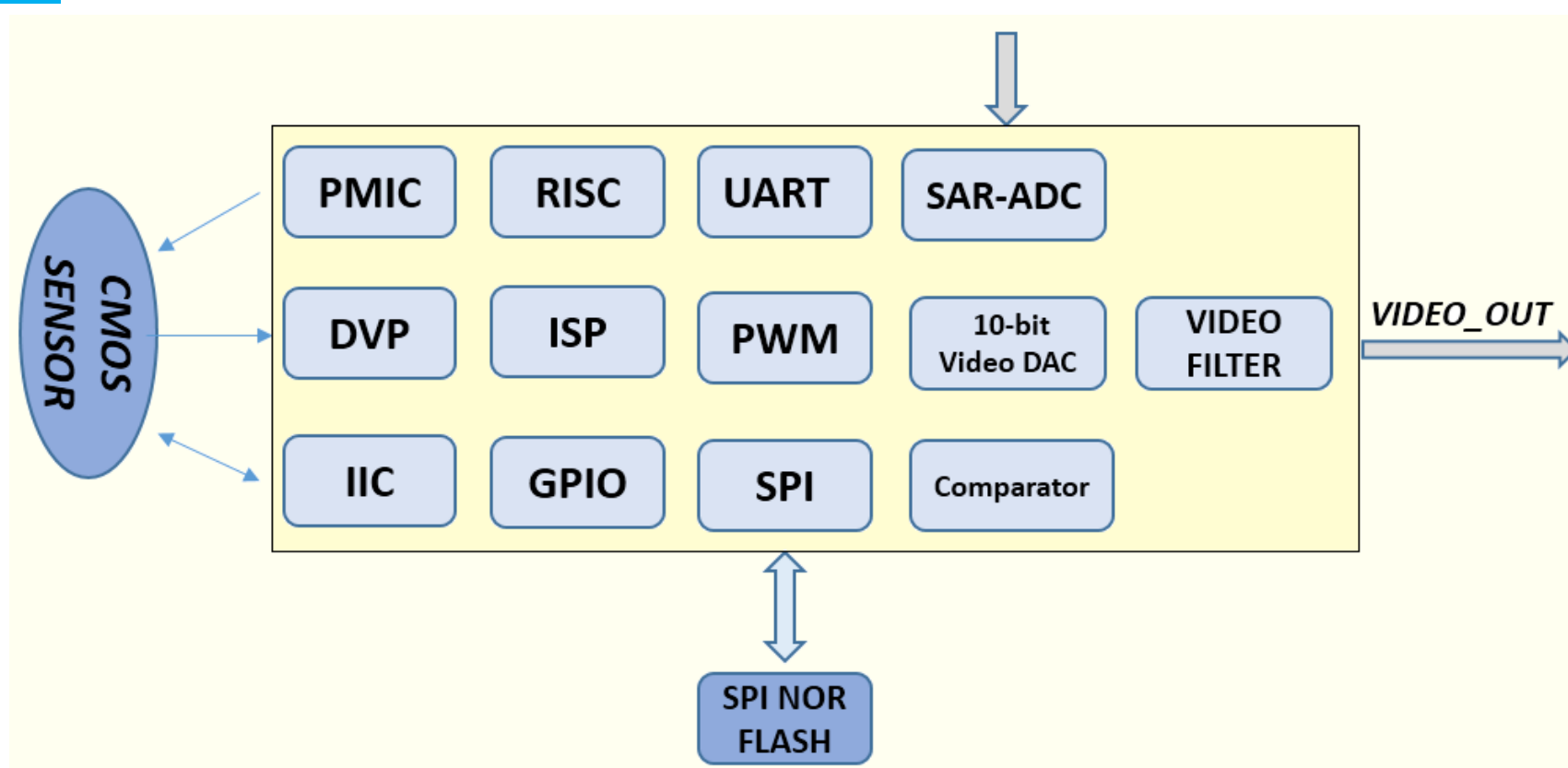
FH8535: High Performance and Cost Effective, High Integration 1M ISP for CCTV

FH8535 is a new generation image signal processing chip for Parallel CIS (CMOS Image Sensor). It supports 1.0Mega image input, supports standard CVBS, 960H and analog HD output, and built-in PMIC power module. It can be used in highly competitive industry analog HD cameras.

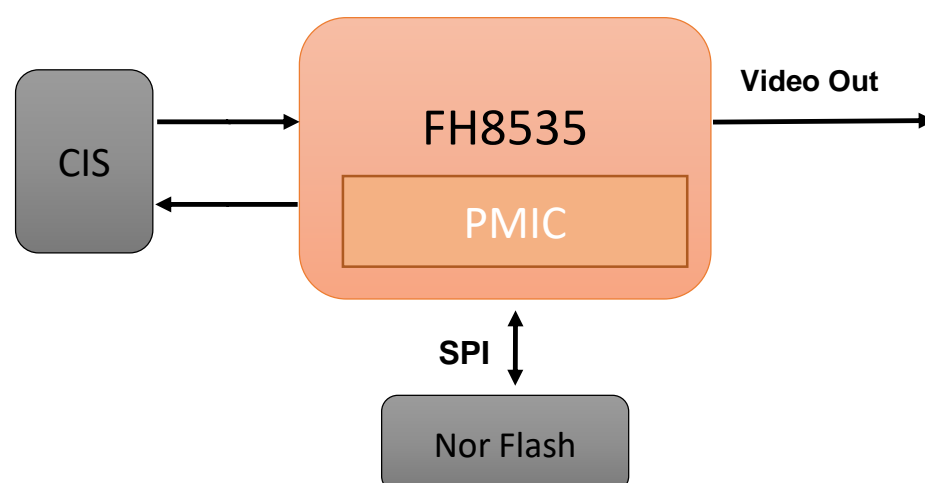
Features:

CIS Input	Support 1.0M CMOS sensor RGB / RGBIR 4X4 , 10bit data bit with Clock positive and negative edge sampling is configurable	Video Output	Standard CVBS (720H/960H) HD Analog : 720P
ISP Function	High performance CFA interpolation Adaptive 2D and Y/C denoising AE/AWB	Interface	I2C SPI UART GPIO SADC PWM
	Lens Shade Correction Image enhancement Automatic detection and elimination of dead pixels		Others
OSD Function	Customized TOSD/GOSD	Package	QFN56 (7*7mm)

Diagram:



Typical Application Solution:



联系我们:

上海富瀚微电子股份有限公司

地址: 上海市徐汇区宜山路717号6楼

邮编: 200233

电话: +86 21 6112 1558

传真: +86 21 6406 6786

邮件: Sales@fullhan.com

网址: www.fullhan.com

